

# VPXL Analytical Balance Quick Start Guide

## Instrument Operation Instructions and Product Registration



### Download Manual:

Visit the Resource Library:

<https://www.brookfieldengineering.com/resourcelibrary>

(or scan the QR code)

### Register Your Instrument:

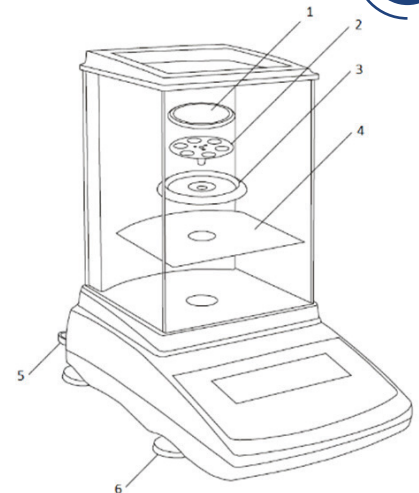
<http://www.brookfieldengineering.com/contactus/register-product>



Scan for  
Resource  
Library

## Instrument Setup

1. Carefully remove the scale, pan, and all components from packaging.
2. Place the scale on a stable surface free from vibration and air movement.
3. Install components in the following order:
  - a. Chamber base (4) onto the balance
  - b. Draft ring (3)
  - c. Pan base (2) onto the pan support
  - d. Pan (1) onto the pan base
4. Level the scale by adjusting the front feet (6) until the air bubble in the level indicator (5) is centered. (*Level indicator is located on the rear left of the scale.*)
5. Plug the AC adapter into the socket on the rear of the scale.
6. Connect the AC adapter to a wall outlet. The scale will power on automatically and initialize.
7. Connect the supplied **RS232** cable between the balance and the Vapor Pro XL.



## Running a Test

### SAMPLE WEIGHT

1-TARE EMPTY VIAL & CAP.

2-LOAD SAMPLE INTO VIAL.

3.0g +/- 0.2g

WEIGHT: 3.0006g

PRESS [TEST] TO CONTINUE

TEST

ABORT

Using the balance with the Vapor Pro XL allows **automatic sample weight input**.

1. Set the VPXL display option to **% Moisture** or **PPM**.
2. Set **Test Start Option (Sample Weight Entry)** to **Balance**.
3. Start the test. The **Sample Weight** screen will display the balance reading automatically.